



MAINERO



ROTARY CUTTER,
WINDROWER
MAINERO

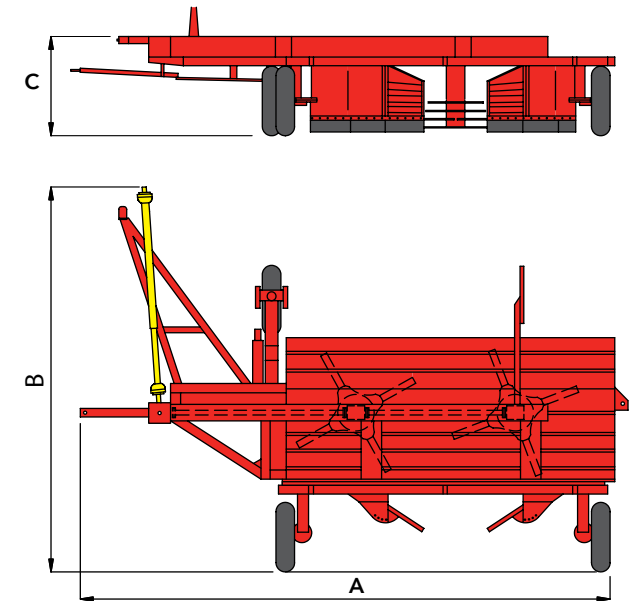


www.mainero.com

Drive		Power take off 540 RPM
Transmission		Protected PTO shaft with friction clutch and overrunning wheel.
Rotor drive		Gear boxes.
Tractor needed	Power:	60 - 70 CV
Hydraulic system		One auxiliary output for double acting cylinders.
Cutting width		3.200 mm.
Cutting height		Adjustable between 50 and 460 mm.
Regulation		Agricultural type hydraulic cylinders. 2 1/2", 3" or 3 1/2" diameter.
Cutting system		2 rotors with blades.
Rotor rotation speed:		810 RPM
Blades		Reversibles with 4 edges each.
Quantity:		2 per rotor to cut-windrow and and 4 per rotor to weed.
Wheel		6.00" x 16 - 4 ply - quantity: 3.
Standard accessories		Blades and retention comb for weeding and grinding.
Additional accessories		Hydraulic cylinder and hoses for lift.
Optional accessories		PTO shaft with Constant Velocity Joint, friction clutch and overrunning wheel.
General dimensions:		
At work	Width (A):	5.000 mm.
	Length (B):	3.700 mm.
	Height (C):	1.250 mm.
Transport	width (F):	2.750 mm.
	Height (D):	5.700 mm.
	Length (E):	5.730 mm.

The Company reserves the right to make changes in its products without prior notice.

WORKING POSITION



TRANSPORT POSITION

